



# enthus

VMware by Broadcom

Produkte und Lizenzierung ab dem 05.02.2024

# Ende der vSphere Perpetual Lizenzen (Stand 05.02.2024)

Was sich ab dem 05. Februar 2024 ändert:

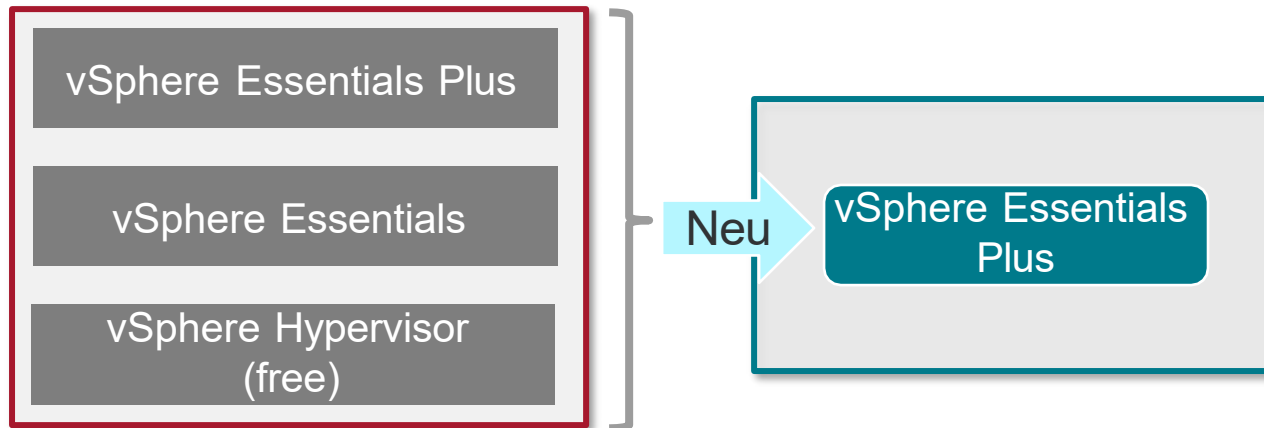
- Keine vSphere Academic Lizenzen mehr.
- Nur noch Core Lizenzierung möglich.
- Keine VMware vSphere Perpetual Lizenzen mehr möglich.
- Keine VMware Renewal von Perpetual Lizenzen mehr möglich.
- Kein vSphere Essentials Bundle mehr.
- Neue vSAN Lizenzen nicht mehr mit Essentials Plus oder Standard Lizenzen.
- Aktuell keine Upgrade SKUs von Perpetual auf Subscription verfügbar.
- Aktuell kein CoTerm möglich.
- Nur noch disconnected Lizenzen.
- Keine Editionsupgrade SKUs vorhanden.
- Kombination vom Perpetual und Subscription Lizenzen möglich.

## Welche vSphere Produkte gibt es?

- vSphere Essentials Plus Bundle (VVEP)
- vSphere Standard (VVS)
- vSphere Foundation (VVF)
- VMware Cloud Foundation (VCF)

# vSphere Essentials Plus (VVEP) (Stand 05.02.2024)

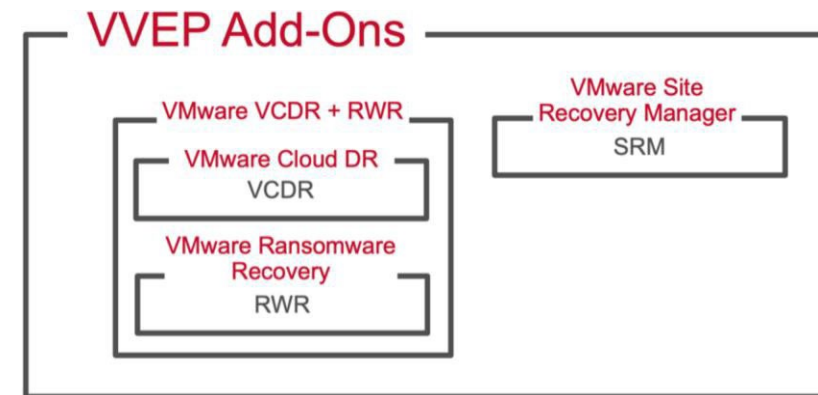
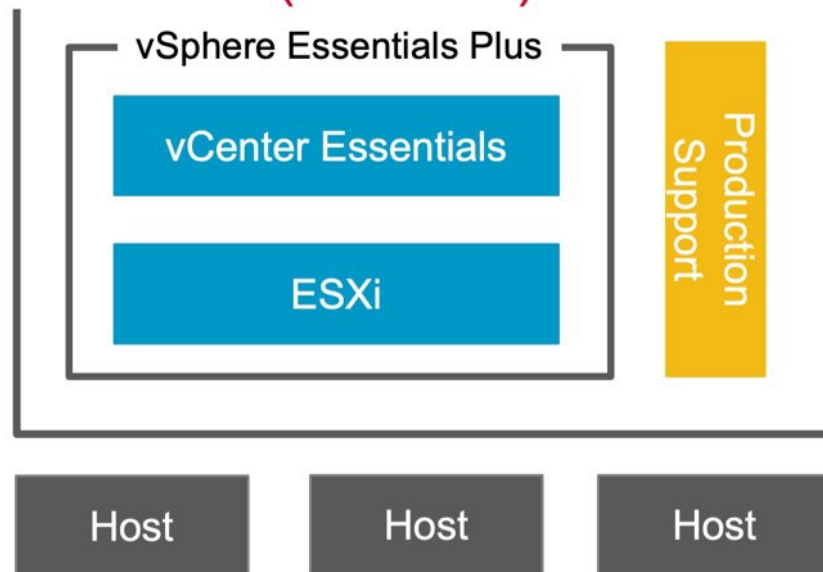
- VMware vSphere Free Hypervisor (nicht mehr verfügbar)
- VMware vSphere Essentials (nicht mehr verfügbar)
- VMware Essentials Plus (VVEP)



		Listpreis
1 Jahr	netto	€ 4.505,00
3 Jahre	netto	€ 9.460,00
5 Jahre	netto	€ 15.750,00

**vSphere Essentials Plus (VVEP)** (Stand 05.02.2024)

**VMware vSphere Essentials Plus Kit  
(96 Cores)**



\* Kein vSAN mit vSphere Essentials Plus möglich!



# vSphere Essentials Plus (VVEP) (Stand 05.02.2024)

- VMware Essentials Plus (96 Core Pack)

VMware vSphere Essentials Plus includes vSphere Essentials Plus and vCenter Essentials.

VMware vSphere Essentials Plus Subscription includes Production Support and is licensed Per 96 Core Pack with a **minimum of 16 Cores per CPU** required and **3 Hosts** maximum.

netto € 4.505,00

- VMware vSphere Standard (per Core - min. 16 Core pro CPU)

VMware vSphere Standard includes vSphere Standard and vCenter Standard.

VMware vSphere Standard includes Production Support and is licensed Per Core with a **minimum of 16 Cores per CPU** required.

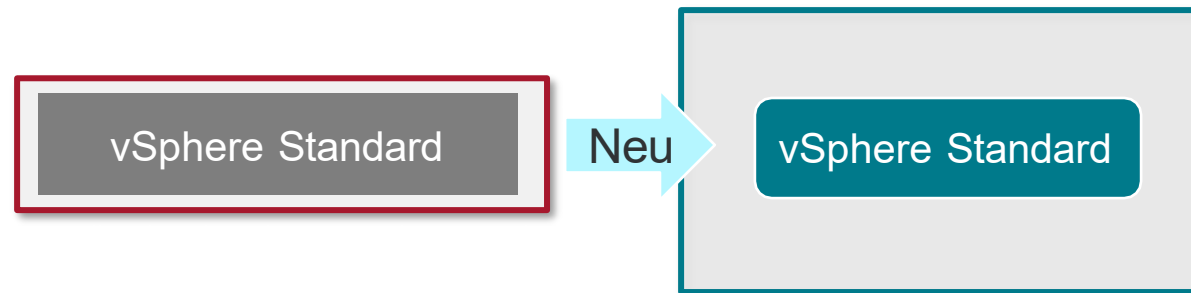
netto € 65,70 ->

16 Core = € 1.051,52
32 Core = € 2.102,52
64 Core = € 4.204,80

Somit ist es bei Umgebungen bis zu 4 CPUs mit je max. 16 Core günstiger vSphere Standard als Essentials Plus einzusetzen. Zwischen 70 und 96 Core ist das Essentials Plus Pack günstiger.

# vSphere Standard (VVS) (Stand 05.02.2024)

VMware vSphere Standard Perpetual (nicht mehr verfügbar)



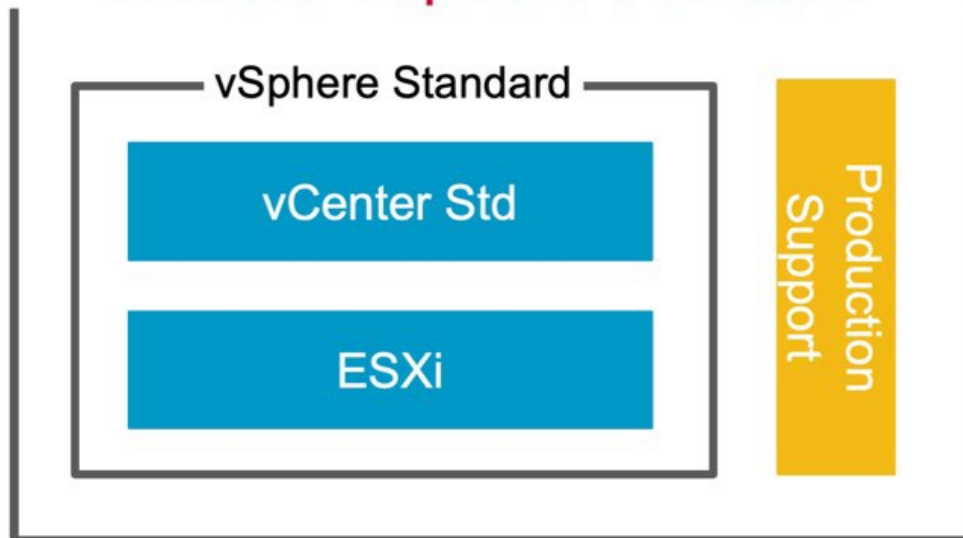
		Listpreis
1 Jahr	netto	€ 65,70
3 Jahre	netto	€ 141,00
5 Jahre	netto	€ 235,00

VMware vSphere Standard includes vSphere Standard and vCenter Standard.  
 VMware vSphere Standard includes Production Support and is licensed Per Core with a minimum of 16 Cores per CPU required.

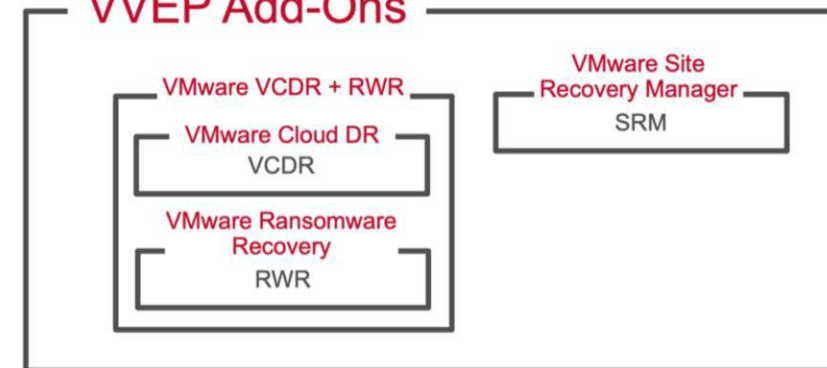
\* Kein vSAN mit vSphere Standard möglich!

# vSphere Standard (VVS) (Stand 05.02.2024)

## VMware vSphere Standard



## VVEP Add-Ons

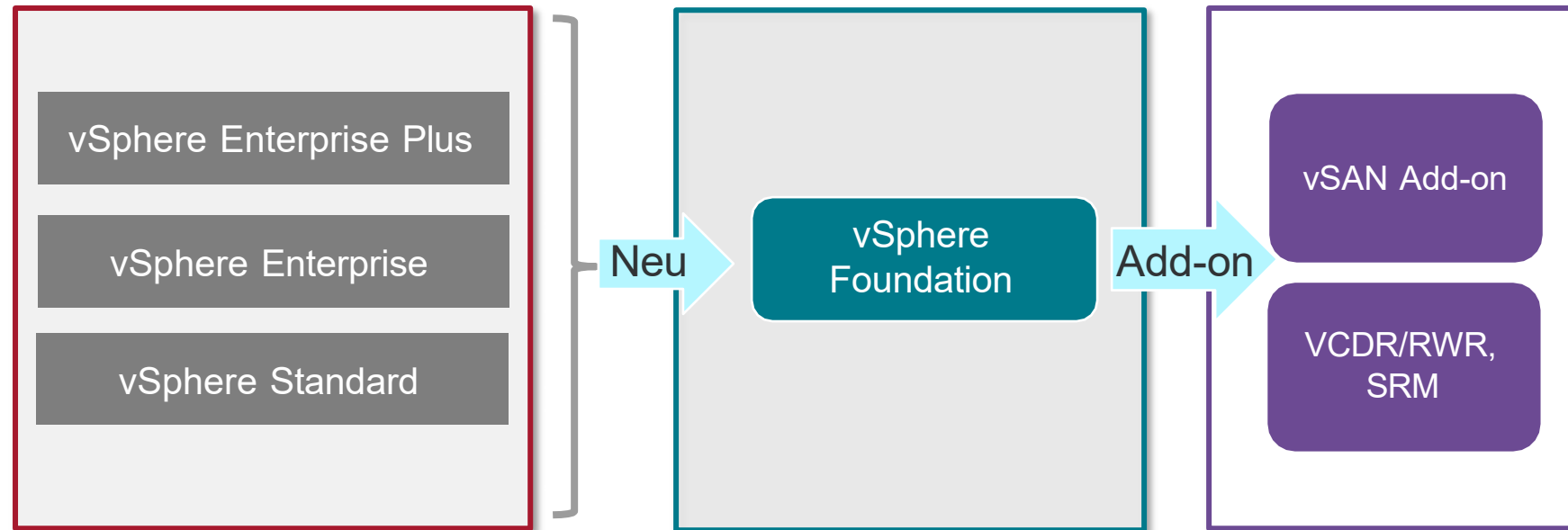


- Vorteil vSphere Standard zu Essentials Plus
  - Storage vMotion Funktion
  - Keine Größenbeschränkung
  - Skalierbarkeit



# vSphere Foundation (VVF) (Stand 05.02.2024)

VMware vSphere Enterprise Plus Perpetual (nicht mehr verfügbar)



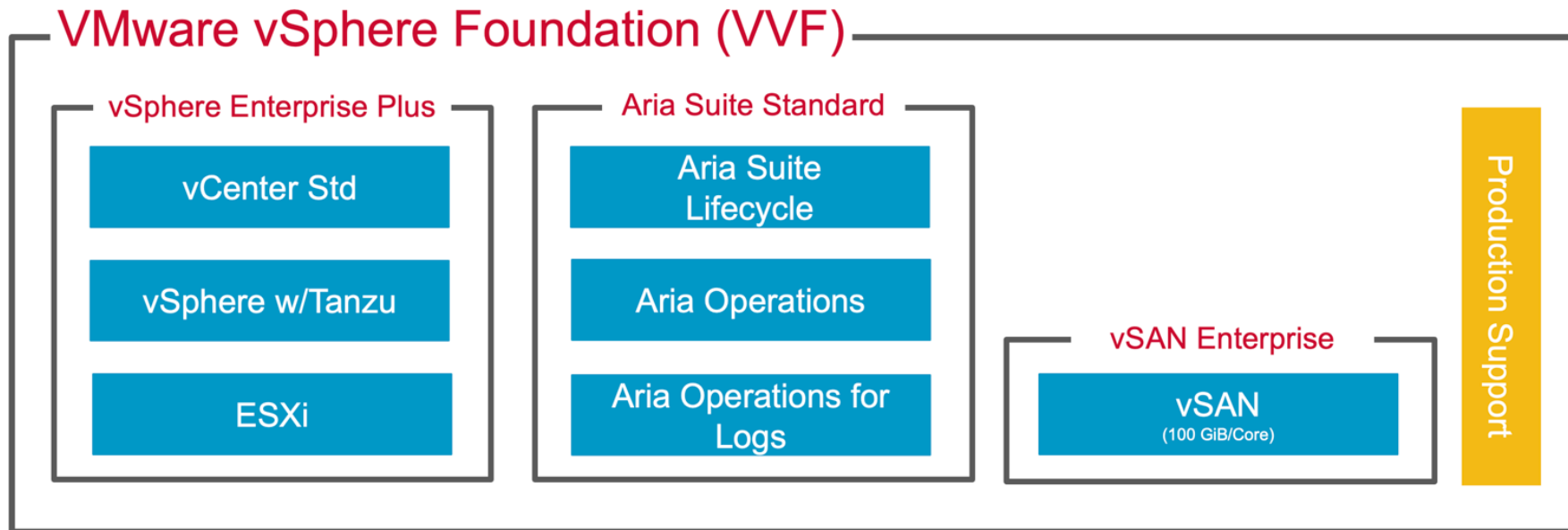
VMware vSphere Foundation includes:

- vSphere Enterprise Plus
- vCenter Standard
- Tanzu Kubernetes Grid
- Aria Suite Standard
- vSAN Enterprise (100GiB/Core)\* Future Release

VVF Subscription includes Production Support and is licensed Per Core with a minimum of 16 Cores per CPU required.

		Listpreis
1 Jahr	netto	€ 177,00
3 Jahre	netto	€ 380,00
5 Jahre	netto	€ 634,00

# vSphere Foundation (VVF) (Stand 05.02.2024)



<https://blogs.vmware.com/vsphere/2024/01/embracing-change-with-vmware-vsphere-foundation.html>

<https://blogs.vmware.com/cloud-foundation/2024/01/22/vmware-end-of-availability-of-perpetual-licensing-and-saas-services/>

## vSAN Add-on

### Pricing & Packaging

vSAN



		Listpreis
1 Jahr	netto	€ 276,00
3 Jahre	netto	€ 591,00
5 Jahre	netto	€ 986,00

VMware vSAN 8 - Year Prepaid Commit Add-on for VMware vSphere Foundation and VMware Cloud Foundation - Per TiB

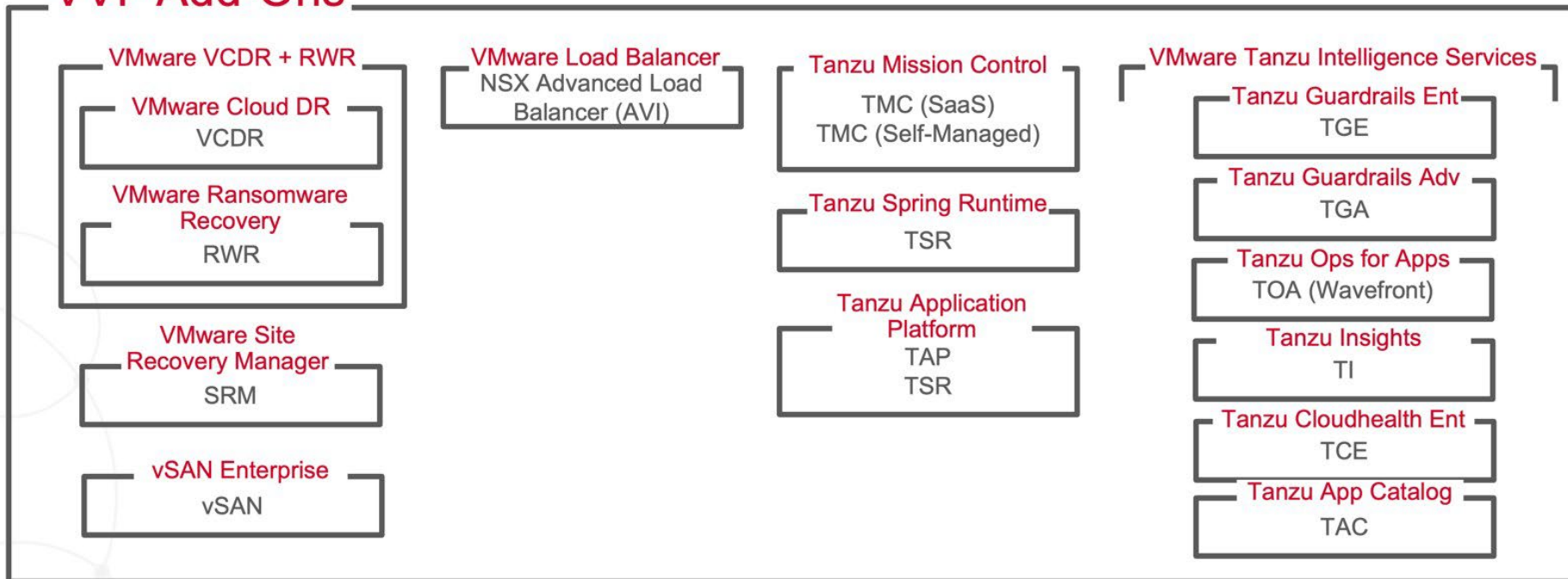
### Lizensierung

- Subscription
- Disconnected, optional connectivity in future
- Per TiB pricing
- TiB minimum 8 TiB per CPU required
- 1-, 3- and 5-year terms
- System enhancements in May 2024 that support annual billing and co-term
- Termination for Convenience (TFC)

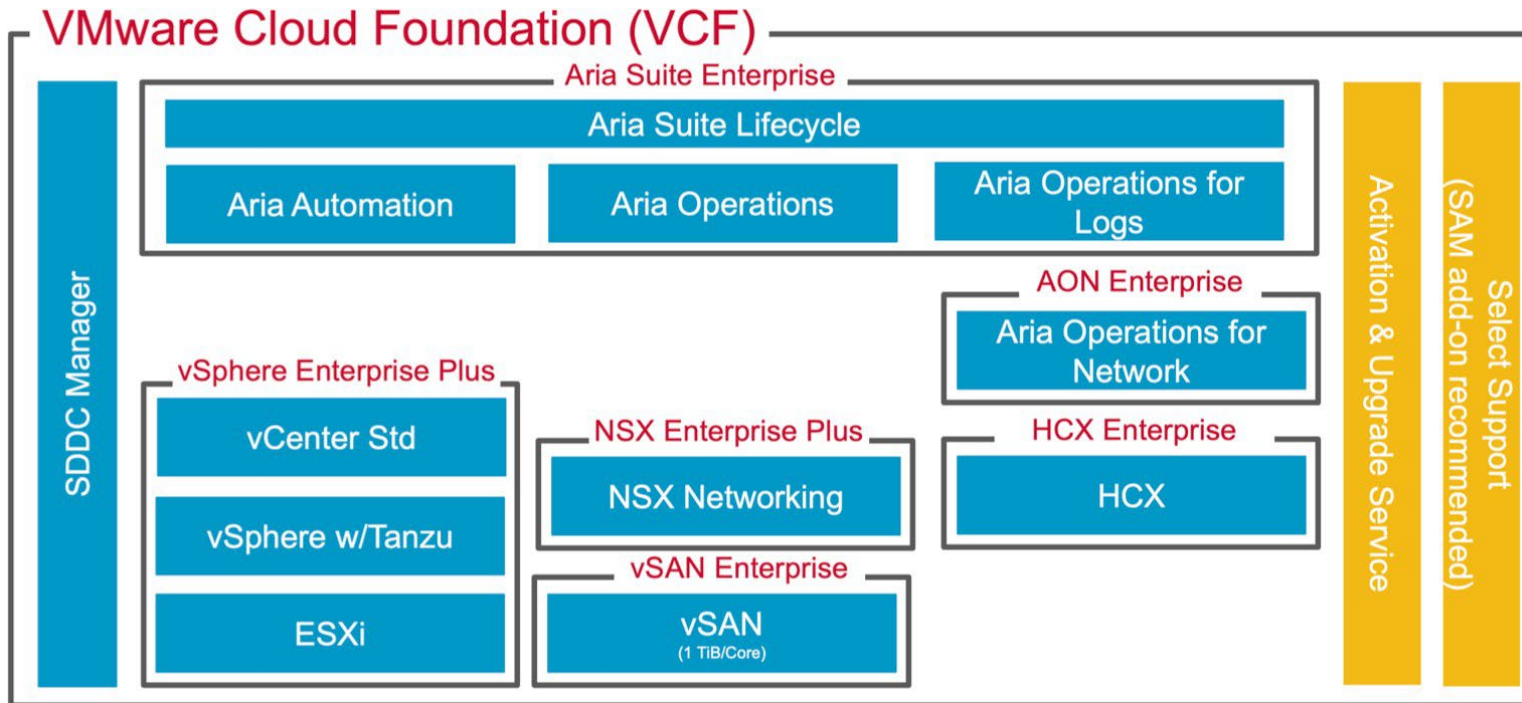
VMware vSAN is an add-on subscription to VMware vSphere Foundation and VMware Cloud Foundation. VMware vSAN includes Production Support and is licensed per TiB with a minimum of 8 TiBs per CPU required.

# vSphere Foundation (VVF) Add-Ons (Stand 05.02.2024)

## VVF Add-Ons



# VMware Cloud Foundation (VCF) (Stand 05.02.2024)



		Listpreis
1 Jahr	netto	€ 460,00
3 Jahre	netto	€ 986,00
5 Jahre	netto	€ 1.645,00

# VMware Cloud Foundation Add-Ons (VCF) (Stand 05.02.2024)

## VCF Add-Ons

### VMware VCDR + RWR

VMware Cloud DR  
VCDR

VMware Ransomware  
Recovery  
RWR

VMware Site  
Recovery Manager  
SRM

vSAN Enterprise  
vSAN

### VMware FW + ATP

VMware Firewall  
Distributed FW  
Gateway FW  
Security Intelligence  
Container Security

### VMware ATP

IDS/IPS  
Malware Prevention  
NTA/NDR

VMware Load Balancer  
NSX Advanced Load  
Balancer (AVI)

### Tanzu Mission Control

TMC (SaaS)  
TMC (Self-Managed)

### Tanzu Spring Runtime

TSR

### Tanzu Application Platform

TAP  
TSR

### VMware Tanzu Intelligence Services

Tanzu Guardrails Ent  
TGE

Tanzu Guardrails Adv  
TGA

Tanzu Ops for Apps  
TOA (Wavefront)

Tanzu Insights  
TI

Tanzu Cloudhealth Ent  
TCE

Tanzu App Catalog  
TAC

### CSP Entitlement

Cloud Platform  
Cloud Director  
Cloud Director Availability  
Cloud Director Plugins & Extensions  
Chargeback

### Metering

Usage Meter

### VMware Private AI Foundation

COMING SOON

### VMware Learning

Education Services

### Support Account Manager (SAM)

Support Services

### Dedicated Technical Support Engineer

Support Services

### Technical Adoption Management (TAM)

Support Services

### Professional Services

Support Services